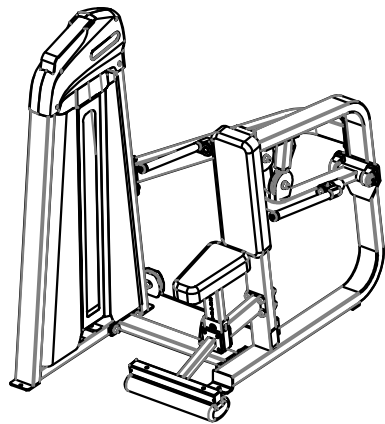
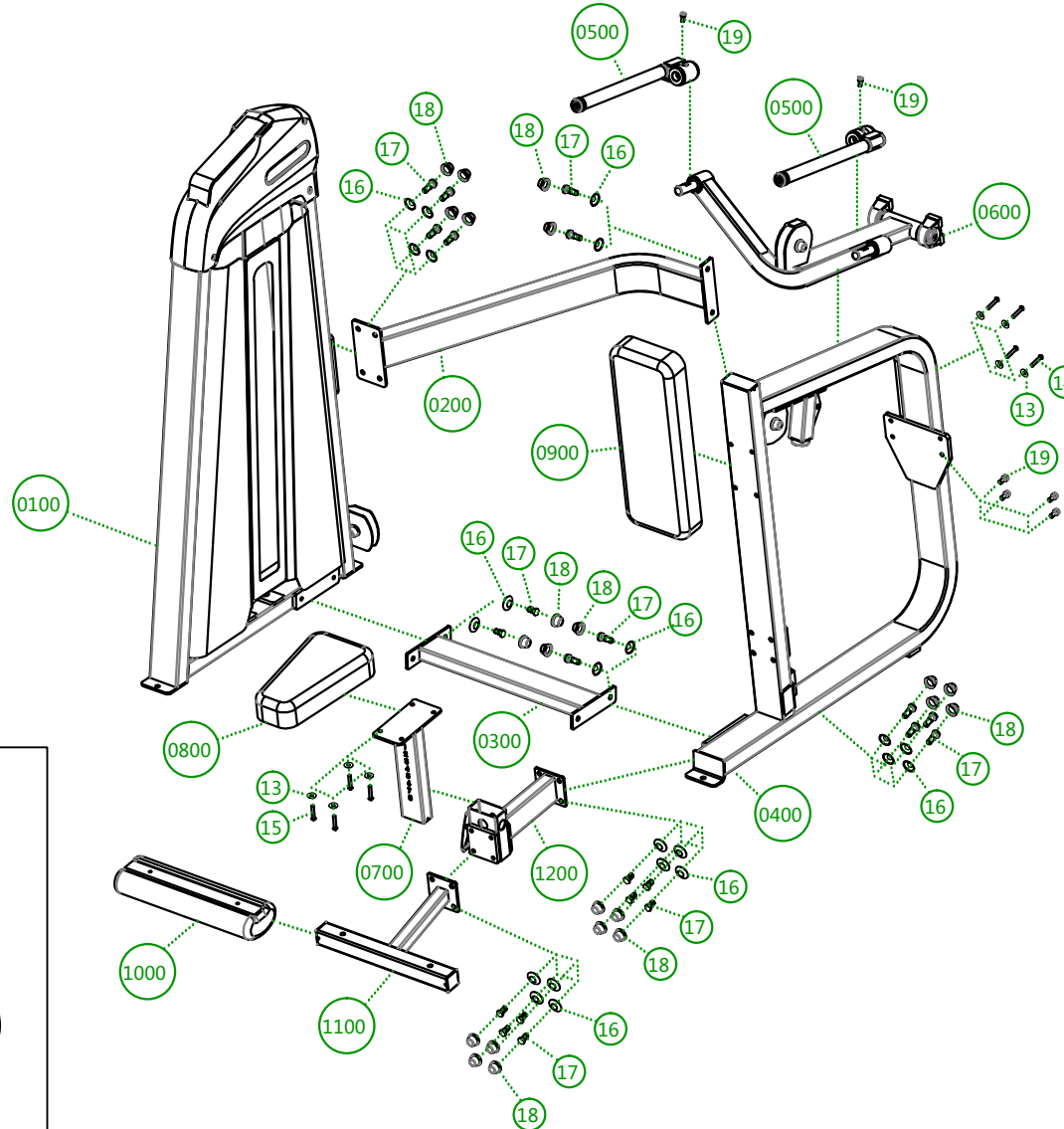


LD-9026 Seated dip



LD-9026 Seated Dip

Installation steps:

1. Install 0100 door group and 0200 upper connection components
2. Install 0100 door group and 0300 bottom connection components
3. Install the 0200 upper connector and the 0400 backrest bracket
4. Install 0400 backrest mount and 1200 connection set
5. Install 1100 hook group and 1200 connection group
6. Install 0400 backrest bracket and 0600 movement arm part
7. Install 0500 movement arm and 0600 movement arm component
8. Install 0400 backrest mount and 0700 seat cushion adjustment group
9. Install the seat cushion and back cushion

No	Draw No	QTY
19	M8*30 Socket cap screw	6
18	30 Screw cap	22
17	M12*20 hexagon bolt	22
16	12 Washer	22
15	M8*75 semicircle head screw hexagon	4
14	M8*30 semicircle head screw hexagon	4
13	8 Washer	8
12	1200 Connection group	1
11	1100 Hook group	1
10	1000 Back cushion	1
9	0900 Backrest	1
8	0800 Seat cushion	1
7	0700 Seat cushion adjustment group	1
6	0600 Movement arm component	1
5	0500 Movement arm part	1
4	0400 Backrest holder	1
3	0300 Lower connection component	1
2	0200 Upper connection component	1
1	0100 Door group	1

LD-9026 Seated Dip

No	Name	QTY	Installation steps:
19	M8*30 Socket cap screw	6	1. Install 0100 door group and 0200 upper connection components
18	∅30Screw cap	22	2. Install 0100 door group and 0300 bottom connection components
17	M12*20 hexagon bolt	22	3. Install the 0200 upper connector and the 0400 backrest bracket
16	∅12 Washer	22	4. Install 0400 backrest mount and 1200 connection set
15	M8*75semicircle head screw hexagon	4	5. Install 1100 hook group and 1200 connection group
14	M8*30semicircle head screw hexagon	4	6. Install 0400 backrest bracket and 0600 movement arm part
13	∅8 Washer	8	7. Install 0500 movement arm and 0600 movement arm component
12	1200 Connection group	1	8. Install 0400 backrest mount and 0700 seat cushion adjustment group
11	1100 Hook group	1	9. Install the seat cushion and back cushion
10	1000 Back cushion	1	
9	0900 Backrest	1	
8	0800 Seat cushion	1	
7	0700 Seat cushion adjustment group	1	

6	0600 Movement arm component	1	
5	0500 Movement arm part	1	
4	0400 Backrest holder	1	
3	0300 Lower connection component	1	
2	0200 Upper connection component	1	
1	0100 Door group	1	